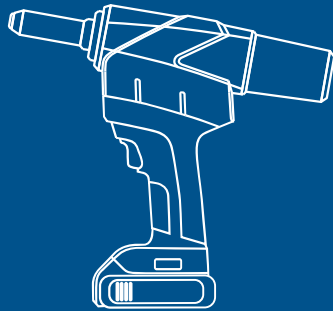


RIVDOM® eBZ 2

Battery-powered setting tool for blind rivets



up to
6.4 mm

The **setting force of 20,000 N** and the very large **stroke of 30 mm** enables not only standard blind rivets but also **high-strength versions** such as **HONSEL FERRO® BULB** and **FERRO® BOLT** (or comparable products) and folding blind rivets **up to 6.4 mm diameter** to be quickly and reliably set in one step. **Uncompromisingly powerful.**

Rivdom eBZ 2



The POWER pack



Wear parts can be changed practically without the use of tools.



The outstandingly balanced **housing** and a **trigger with a stroke of only 2 mm** guarantee a very high level of comfort during the day-to-day work.

Family facts on the **HONSEL** battery riveters on ► page 50.



2.4	3.0	3.2	4.0	4.8	5.0	6.0	6.4	8.0
			optional*	Aluminium				
			optional*	Steel				
			optional*	Stainless steel				
			optional*	Copper alloys				

max. 4.8 mm

2.0 kg
(incl. 2.0 Ah battery)

30 mm

20,000 N

< 30 min.

- 1x Rivdom eBZ 2 battery riveter with brushless motor in **HONSEL L-Boxx®**
- 20V/2.0 Ah Li ion battery with optical state-of-charge indicator (number depending on variant)
- 1x Rivdom-PLUS quick-charger
- 3x standard nosepieces in box
- 1x mandrel collector "L"
- 1x each belt clip, hanger bracket and cover cap

* Optional conversion kits for 4.0 - 6.4 mm blind rivets.

Item no. **320502000000-010-1** (1x battery 20V/2Ah)

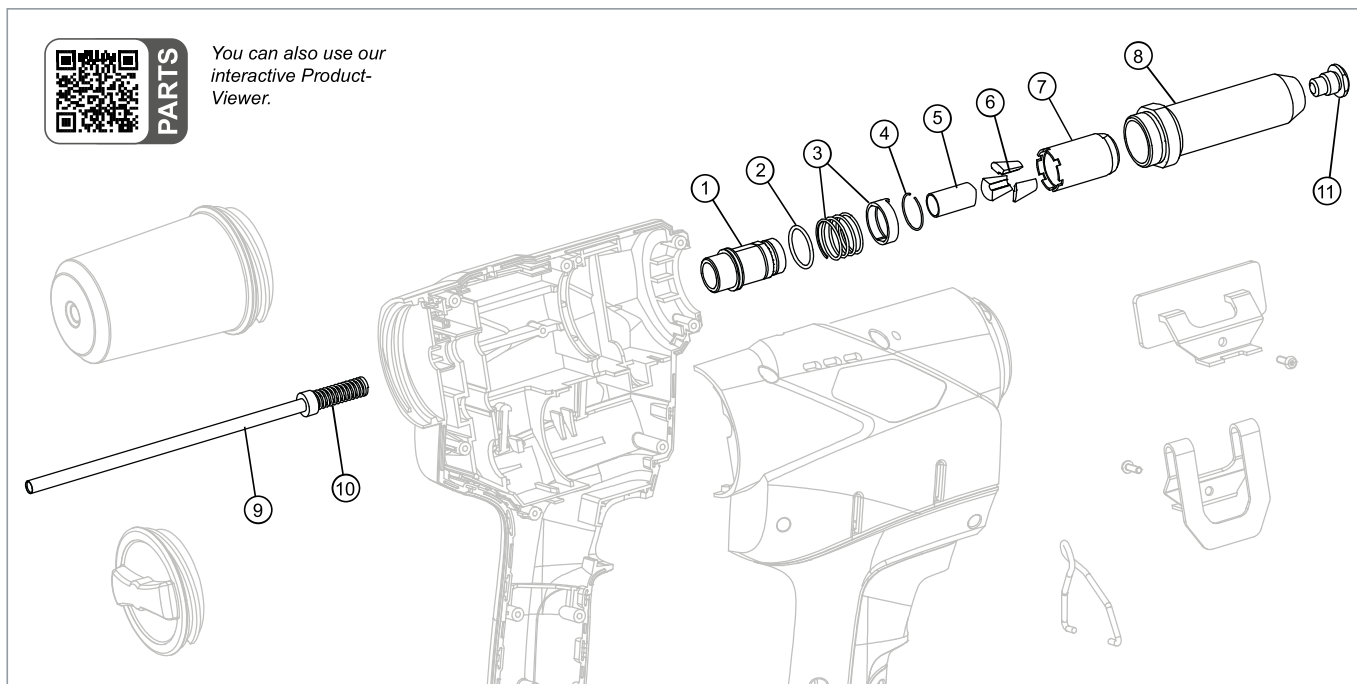
Item no. **320502000000-020-1** (2x battery 20V/2Ah)





PARTS

You can also use our interactive Product-Viewer.



Spare and wear parts

1	321300200054	Spacer with scraper
2	321101100017	Scraper for spacer
3	321502000055	Quick release ring + spring
4	321525000056	Quick release c-ring
5	321300200017	Guide sleeve (various Ø)
6	361122000020	Clamping jaws (1 set = 3 pcs.)
7	321502000016	Clamping sleeve 4.8 - 6.4 mm
8	321300200015	Front sleeve
9	321300200049	Mandrel discharge tube
10	321300200021	Pressure spring

Standard nosepieces

8	321120000125	Standard nosepiece 4.8/5.0 mm	3.60
	321120000126	Standard nosepiece 6.0 mm	
	321120000127	Standard nosepiece 6.4 mm	

Accessories

321500000021	Li-Ion RivdomPLUS battery 20 V/2.0Ah -scope of delivery-
321500000022	Li-Ion RivdomPLUS battery 20 V/4.0Ah
321500000001	Universal quick charger 220 V for RivdomPLUS batteries (12 V/16 V/20 V) -scope of delivery-
321500000003	Multiple charging station
321500000004	Adapter multiple charging station for 1 x RivdomPLUS battery
321200100031	Mandrel container S (5.5 cm)
321300100031	Mandrel container L (8.0 cm) -scope of delivery-
321401000030	Mandrel container L+ (8.0 cm)
321501000030	Mandrel container XL++ (11.0 cm)
321401000029	Hanger -scope of delivery-
321200000006	Belt clip -scope of delivery-
321200000005	Name plate -scope of delivery-
321401000004	Cover cap -scope of delivery-



Retainer nosepieces to securely hold the blind rivets before the setting process and...
...extended front sleeves can be found on page 50.



Special nosepieces can be produced at short notice for specific customer applications.



Special nosepieces

For recessed riveting points

Extended nosepieces 7 mm



321123950070	Extended nosepiece (7 mm) 4.8/5.0 mm
321123960070	Extended nosepiece (7 mm) 6.0 mm
321123964070	Extended nosepiece (7 mm) 6.4 mm

Extended nosepieces 20 mm



321123950200	Extended nosepiece (20 mm) 4.8/5.0 mm
321123960200	Extended nosepiece (20 mm) 6.0 mm
321123964200	Extended nosepiece (20 mm) 6.4 mm

For 5.0 mm large dome head blind rivets



321120000511	Façade nosepiece head 11.0 mm
321120000514	Façade nosepiece head 14.0 mm
321120000516	Façade nosepiece head 16.0 mm

For FERRO® BOLT 4.8 mm high-strength blind rivets



321101008401	Nosepiece FERRO®-BOLT blind rivets 4.8 mm
361121008601	Nosepiece FERRO®-BOLT blind rivets 6.4 mm

For 5.2 mm folding blind rivets



321123716052	Nosepiece for folding blind rivets 5.2 mm
321123716063	Nosepiece for folding blind rivets 6.3 mm